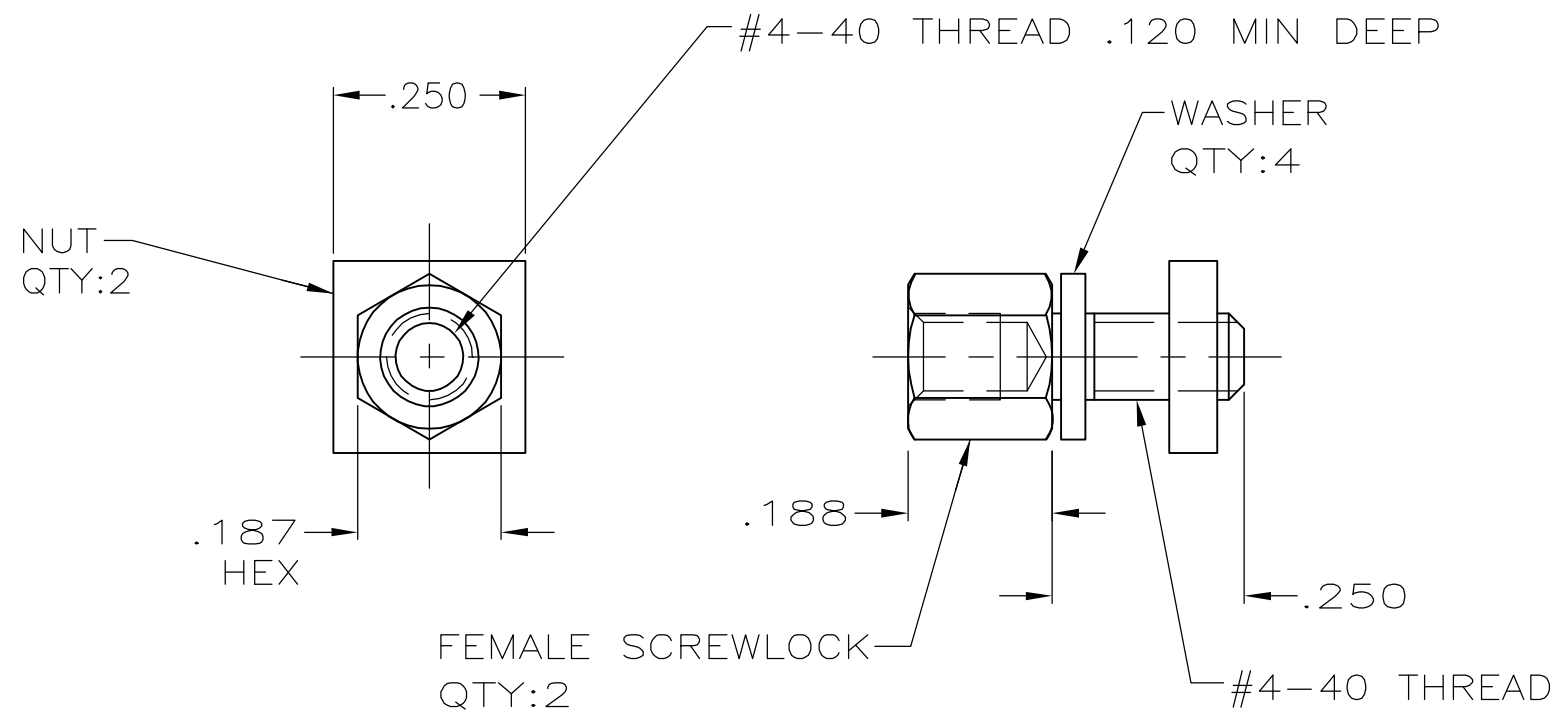


THIS DRAWING IS UNPUBLISHED. RELEASED FOR PUBLICATION
 © COPYRIGHT BY TYCO ELECTRONICS CORPORATION. ALL RIGHTS RESERVED.

LOC	DIST	REVISIONS					
GP	00	P	LTR	DESCRIPTION	DATE	DWN	APVD
		0		RELEASED PER EC 0S13-0207-05	28JUN05	SW	JG



- 1 ZINC PLATED .000200-.000400 THICK, YELLOW CHROMATE COATING.
- 2 ZINC PLATED .000200-.000400 THICK, CLEAR CHROMATE COATING.
- 3. PARTS PACKAGED UNASSEMBLED.
- 4. PARTS PACKAGED AS A UNIT KIT.

2	5207952-3
1	5207952-1
FINISH	PART NUMBER

THIS DRAWING IS A CONTROLLED DOCUMENT.		DWN S.WAITMAN 28JUN05	Tyco Electronics Corporation Harrisburg, Pa 17105-3608		
DIMENSIONS: INCHES		CHK C.ROHDE 28JUN05			
TOLERANCES UNLESS OTHERWISE SPECIFIED:		APVD M.WALMSLEY 28JUN05	NAME SCREWLOCK KIT, FEMALE, SHORT, AMPLIMITE		
0 PLC ± - 1 PLC ± - 2 PLC ± - 3 PLC ± .005 4 PLC ± - ANGLES ± -		PRODUCT SPEC -	RESTRICTED TO -		
MATERIAL STEEL		APPLICATION SPEC -	SIZE A3	CAGE CODE 00779	DRAWING NO C-5207952
FINISH SEE TABLE		WEIGHT -	SCALE 4:1		SHEET 1 OF 1
CUSTOMER DRAWING			REV 0		